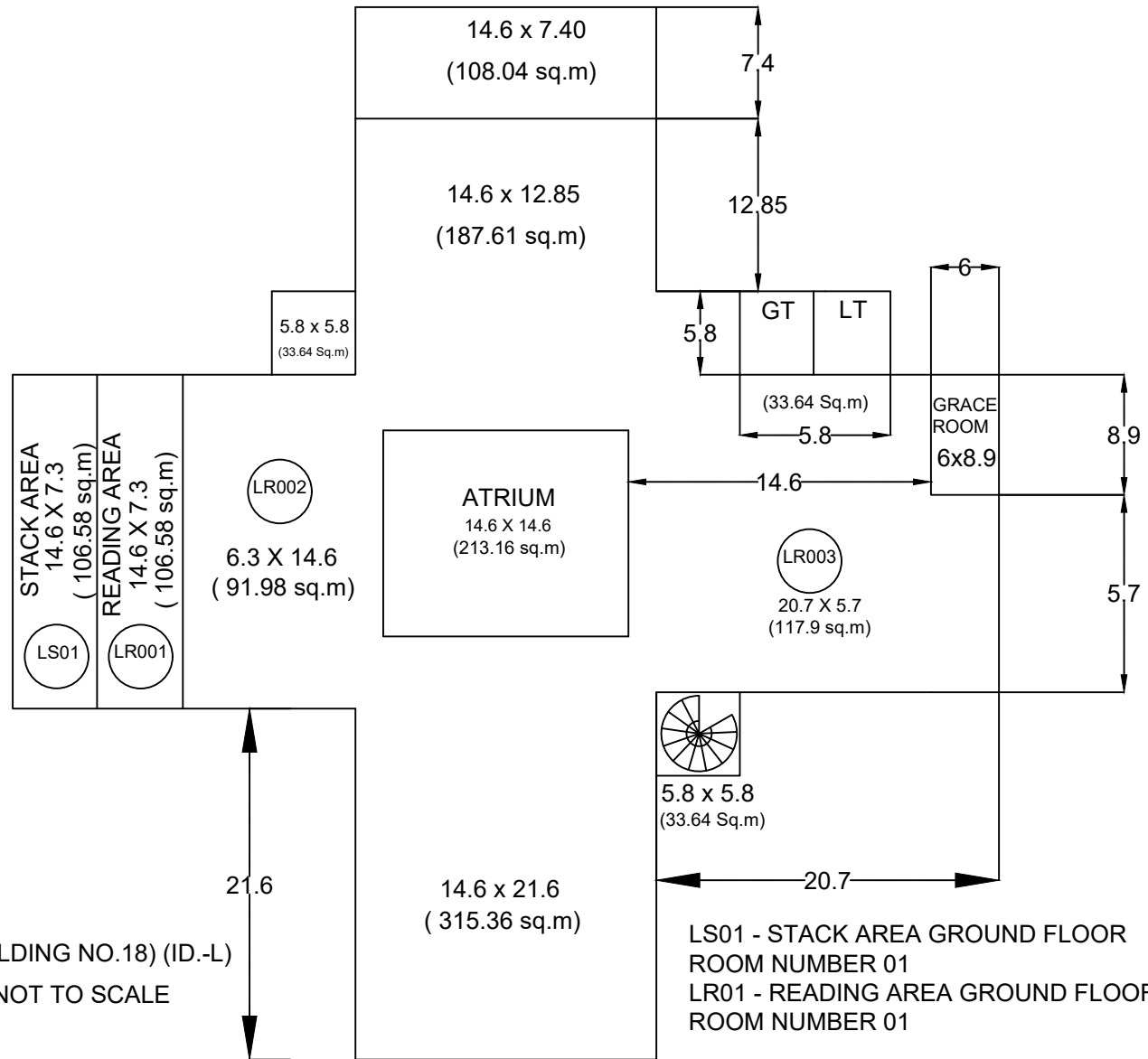


LIBRARY - GROUND FLOOR

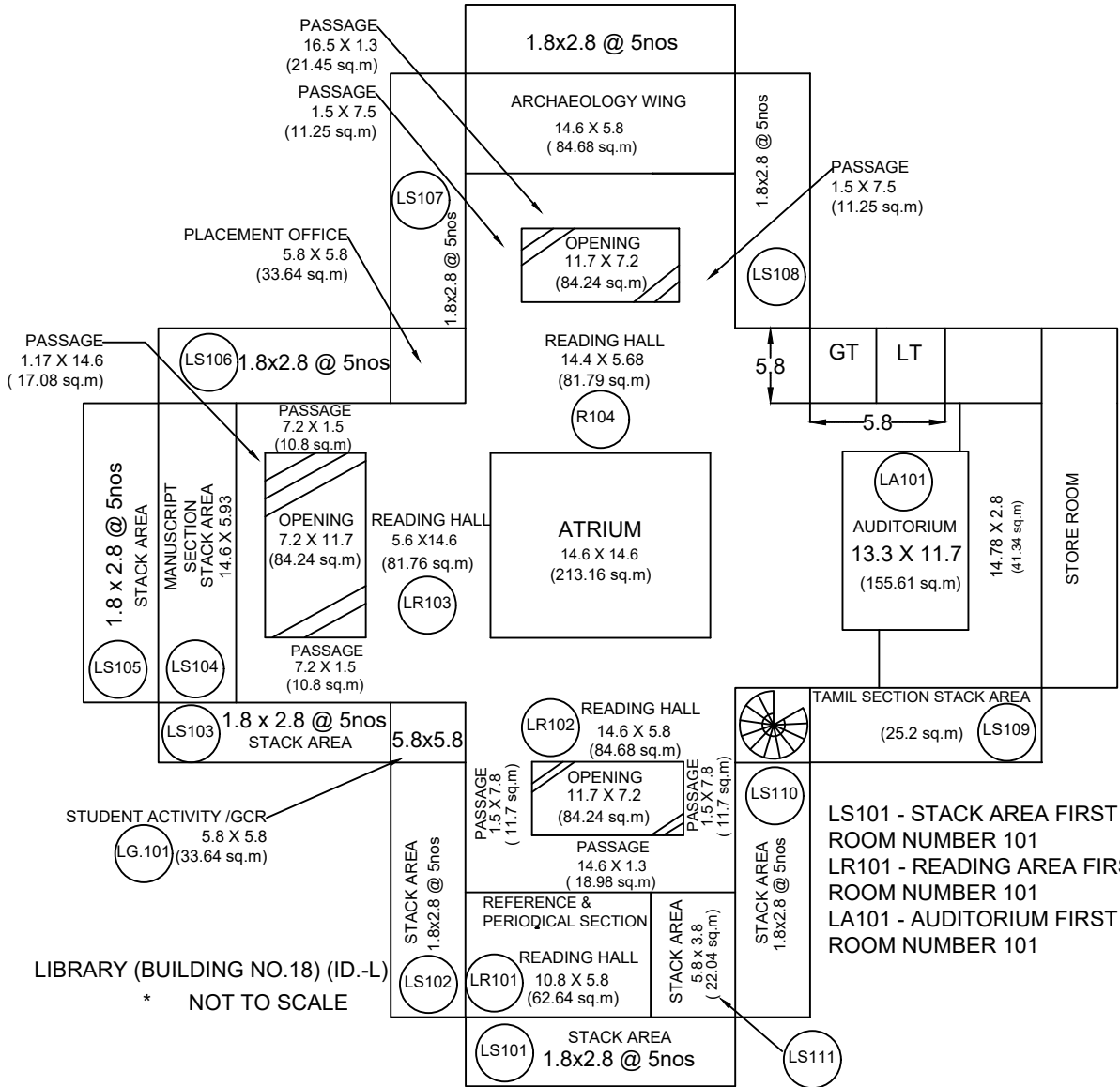


LIBRARY (BUILDING NO.18) (ID.-L)

* NOT TO SCALE

LS01 - STACK AREA GROUND FLOOR
ROOM NUMBER 01
LR01 - READING AREA GROUND FLOOR
ROOM NUMBER 01

LIBRARY - FIRST FLOOR



PASSAGE
16.5 X 1.3
(21.45 sq.m)

PASSAGE
1.5 X 7.5
(11.25 sq.m)

PLACEMENT OFFICE
5.8 X 5.8
(33.64 sq.m)

PASSAGE
1.17 X 14.6
(17.08 sq.m)

PASSAGE
7.2 X 1.5
(10.8 sq.m)

OPENING
7.2 X 11.7
(84.24 sq.m)

PASSAGE
7.2 X 1.5
(10.8 sq.m)

STUDENT ACTIVITY /GCR
5.8 X 5.8
(33.64 sq.m)

1.8x2.8 @ 5nos

ARCHAEOLOGY WING
14.6 X 5.8
(84.68 sq.m)

OPENING
11.7 X 7.2
(84.24 sq.m)

READING HALL
14.4 X 5.68
(81.79 sq.m)

R104

ATRIUM
14.6 X 14.6
(213.16 sq.m)

READING HALL
5.6 X 14.6
(81.76 sq.m)

LR103

PASSAGE
1.5 X 7.5
(11.25 sq.m)

GT LT

5.8

5.8

AUDITORIUM
13.3 X 11.7
(155.61 sq.m)

LA101

14.78 X 2.8
(41.34 sq.m)

STORE ROOM

1.8x2.8 @ 5nos

1.8 x 2.8 @ 5nos
STACK AREA

MANUSCRIPT SECTION
STACK AREA
14.6 X 5.93

1.8 x 2.8 @ 5nos
STACK AREA

5.8x5.8

READING HALL
14.6 X 5.8
(84.68 sq.m)

OPENING
11.7 X 7.2
(84.24 sq.m)

PASSAGE
14.6 X 1.3
(18.98 sq.m)

REFERENCE &
PERIODICAL SECTION

READING HALL
10.8 X 5.8
(62.64 sq.m)

STACK AREA
1.8x2.8 @ 5nos

STACK AREA
5.8 x 3.8
(22.04 sq.m)

TAMIL SECTION STACK AREA
(25.2 sq.m)

STACK AREA
1.8x2.8 @ 5nos

LS101 - STACK AREA FIRST FLOOR
ROOM NUMBER 101
LR101 - READING AREA FIRST FLOOR
ROOM NUMBER 101
LA101 - AUDITORIUM FIRST FLOOR
ROOM NUMBER 101

STACK AREA
1.8x2.8 @ 5nos

LIBRARY- SECOND FLOOR

